

TRACK

SIZE: OPEN MEDIUM TIGHT

TRACTION: HIGH MEDIUM LOW

SURFACE: SMOOTH MEDIUM BUMPY

TYPE: HARD PACKED SOFT DIRT CLAY
 BLUE GROOVE ASTRO TURF GRASS

CONDITION: DRY DUSTY WET MUD

TEMPERATURE: AIR: _____ TRACK: _____

DIFFERENTIALS

FRONT			CENTER			REAR		
LSD	OPEN	OD	LSD	SOLID		LSD	OPEN	
<input type="checkbox"/>	<input type="checkbox"/>	<input type="checkbox"/>	<input type="checkbox"/>	<input type="checkbox"/>		<input type="checkbox"/>	<input type="checkbox"/>	
LSD Ramp			LSD Ramp			LSD Ramp		
60°	90°	120°	60°	90°	120°	60°	90°	120°
<input type="checkbox"/>	<input type="checkbox"/>	<input type="checkbox"/>	<input type="checkbox"/>	<input type="checkbox"/>	<input type="checkbox"/>	<input type="checkbox"/>	<input type="checkbox"/>	<input type="checkbox"/>

SHOCK SPRINGS

FRONT		REAR
<input type="checkbox"/>	SOFT	<input type="checkbox"/>
<input type="checkbox"/>	MEDIUM	<input type="checkbox"/>
<input type="checkbox"/>	HARD	<input type="checkbox"/>
	OTHER	

OIL VISCOSITY

FRONT _____ REAR _____

PISTON HOLE SIZES

FRONT					REAR
	2x2mm	<input type="checkbox"/>	4x2mm	<input type="checkbox"/>	
	3x2mm	<input type="checkbox"/>	5x2mm	<input type="checkbox"/>	

ACKERMAN

LESS STANDARD

ANTI-ROLL BAR

FRONT THICKNESS REAR

CHASSIS | **BODY**

LONG SHORT

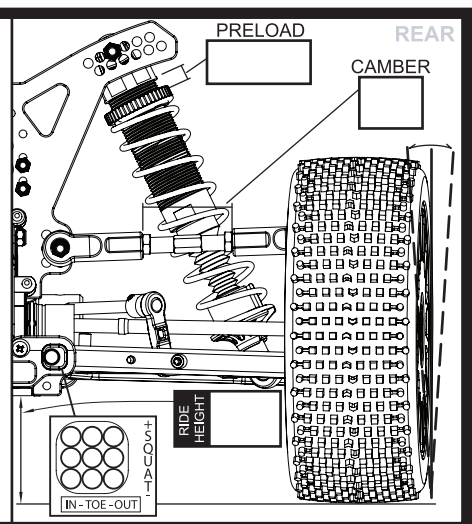
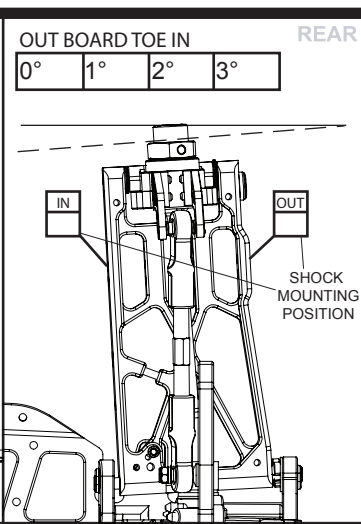
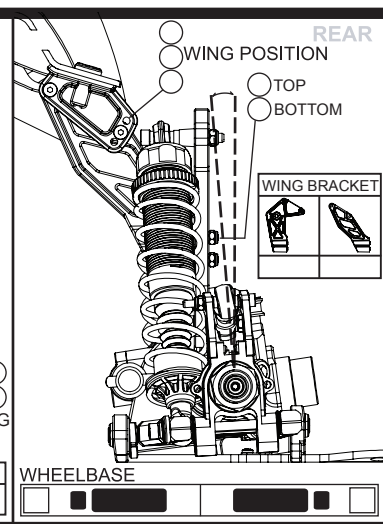
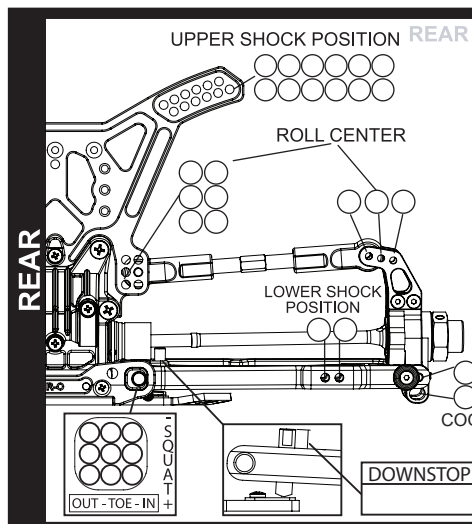
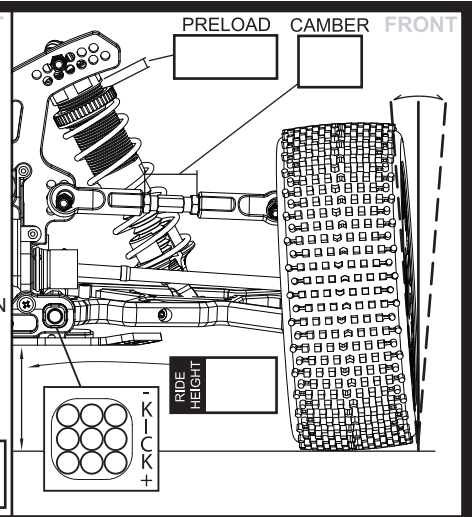
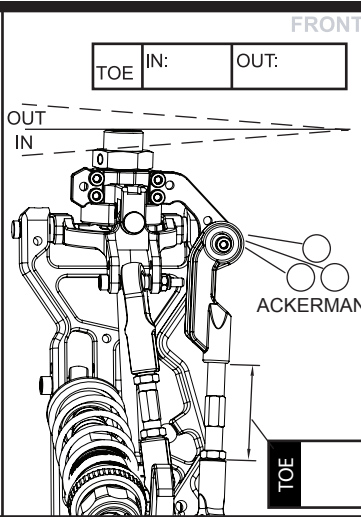
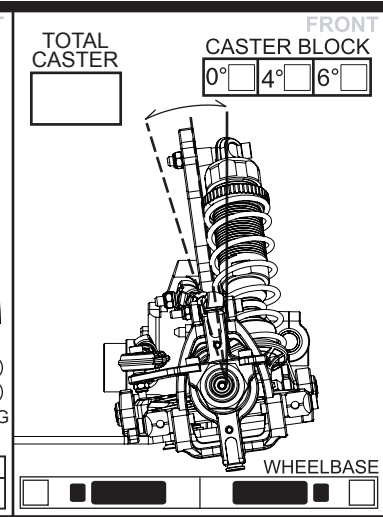
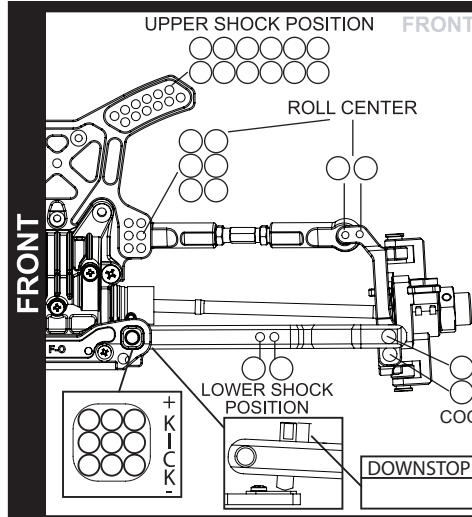
NOTES

www.mcdracing.com/support

POSITION: _____ BEST LAP: _____

NAME: _____

RACE: _____ DATE:/...../.....



TYRES

	F	R
Micro-Stud	<input type="checkbox"/>	<input type="checkbox"/>
Block-Stud	<input type="checkbox"/>	<input type="checkbox"/>
Micro-Stud	<input type="checkbox"/>	<input type="checkbox"/>
Astro-Grip	<input type="checkbox"/>	<input type="checkbox"/>
Dirt-Max	<input type="checkbox"/>	<input type="checkbox"/>
Astro-Max	<input type="checkbox"/>	<input type="checkbox"/>
OTHER:		
COMPOUND	F <input type="checkbox"/>	R <input type="checkbox"/>
INSERT	F <input type="checkbox"/>	R <input type="checkbox"/>

POWER UNIT

ENGINE: _____

CARBURATOR: _____

PLUG: _____

OIL: _____

CLUTCH: _____

PIPE: _____

TRANSMISSION RATIO

Final Ratio	Engine	Center Diff
6,92	26	60
7,20	25	60
7,44	25	62
7,50	24	60
7,75	24	62
7,83	23	60
7,88	24	63
8,09	23	62
8,18	22	60
8,22	23	63
8,35	23	64
8,45	22	62
8,59	22	63
8,73	22	64
8,86	21	62
8,86	22	65
9,00	21	63
9,14	21	64
9,29	21	65
9,30	20	62
9,45	20	63
9,60	20	64
9,75	20	65
9,95	19	63
10,11	19	64